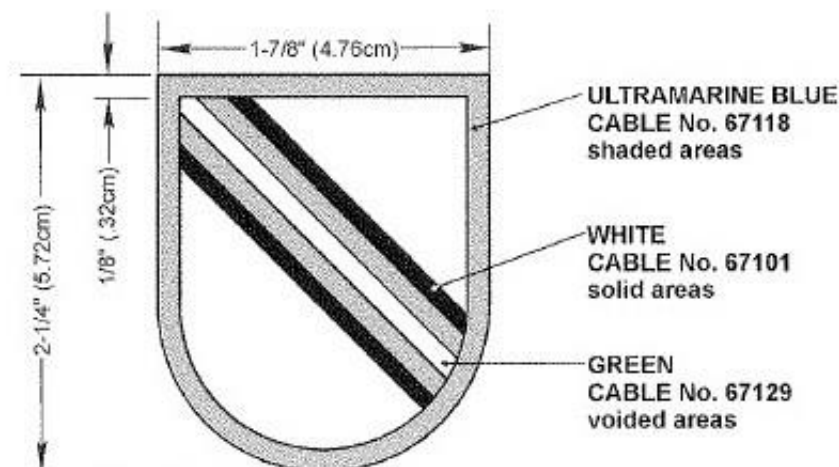


REVISIONS

LTR	DESCRIPTION	DATE	APPROVED
-----	-------------	------	----------



DESIGNED FOR OVEREDGE STITCHING

UNLESS OTHERWISE SPECIFIED DIMENSIONS ARE IN INCHES TOLERANCES ON FRACTIONS DECIMALS ANGLES

MATERIALS:  
TO BE MANUFACTURED IN ACCORDANCE WITH MIL-DTL-14652

EXAMINED	Sae
CHECKED	WAW
PREPARED	GS

APPROVED  
*Charles V. Mugno*  
CHARLES V. MUGNO  
DIRECTOR

THE INSTITUTE OF HERALDRY, DEPARTMENT OF THE ARMY  
9325 GUNSTON RD, RM S-113 FORT BELVOIR, VA 22060-5579

BERET FLASH FOR

**165TH QUARTERMASTER COMPANY**

SIZE	CONTROL IDENT. NO	<b>A-4-276</b>
<b>A</b>	<b>22571</b>	

SCALE	FULL	DATE	<b>9 NOVEMBER 2011</b>
-------	------	------	------------------------

